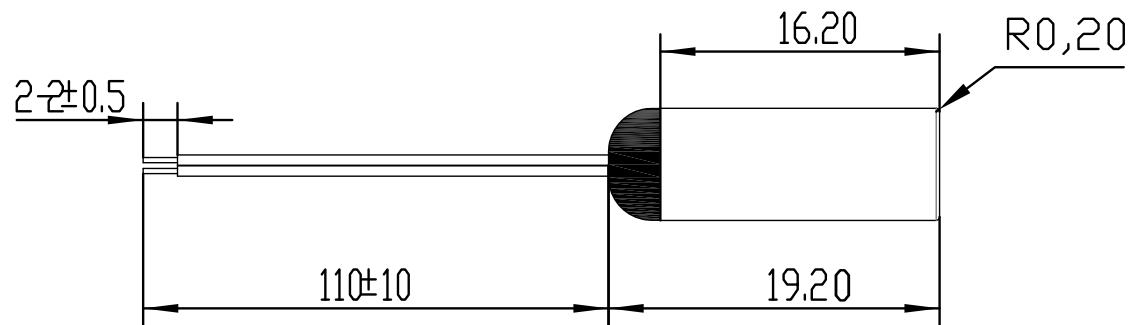
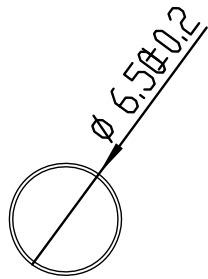
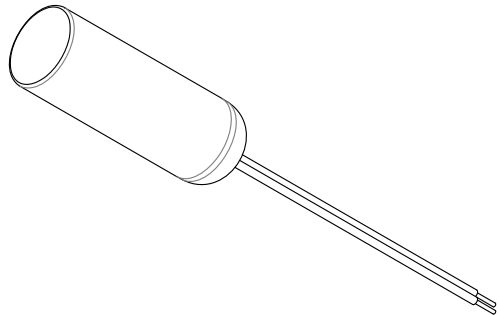


Encapsulated Vibration Motor NFP-E0610



Unit: mm



Technical requirement

1. Rated voltage: 3.0V DC
2. Rated current: 75mA max
3. Rated speed: $11,500 \pm 2,500$ rpm
4. Stall current: 220mA Max
5. Terminal resistance: $21\Omega \pm 20\%$
6. Start voltage: 0.8V max
7. Shaft end play: 0.05-0.3mm
8. Wire spec: AWG30 UL3302
9. Overall length is measured after counterweight being pressed against body
10. Unmarked tolerance: ± 0.1 mm